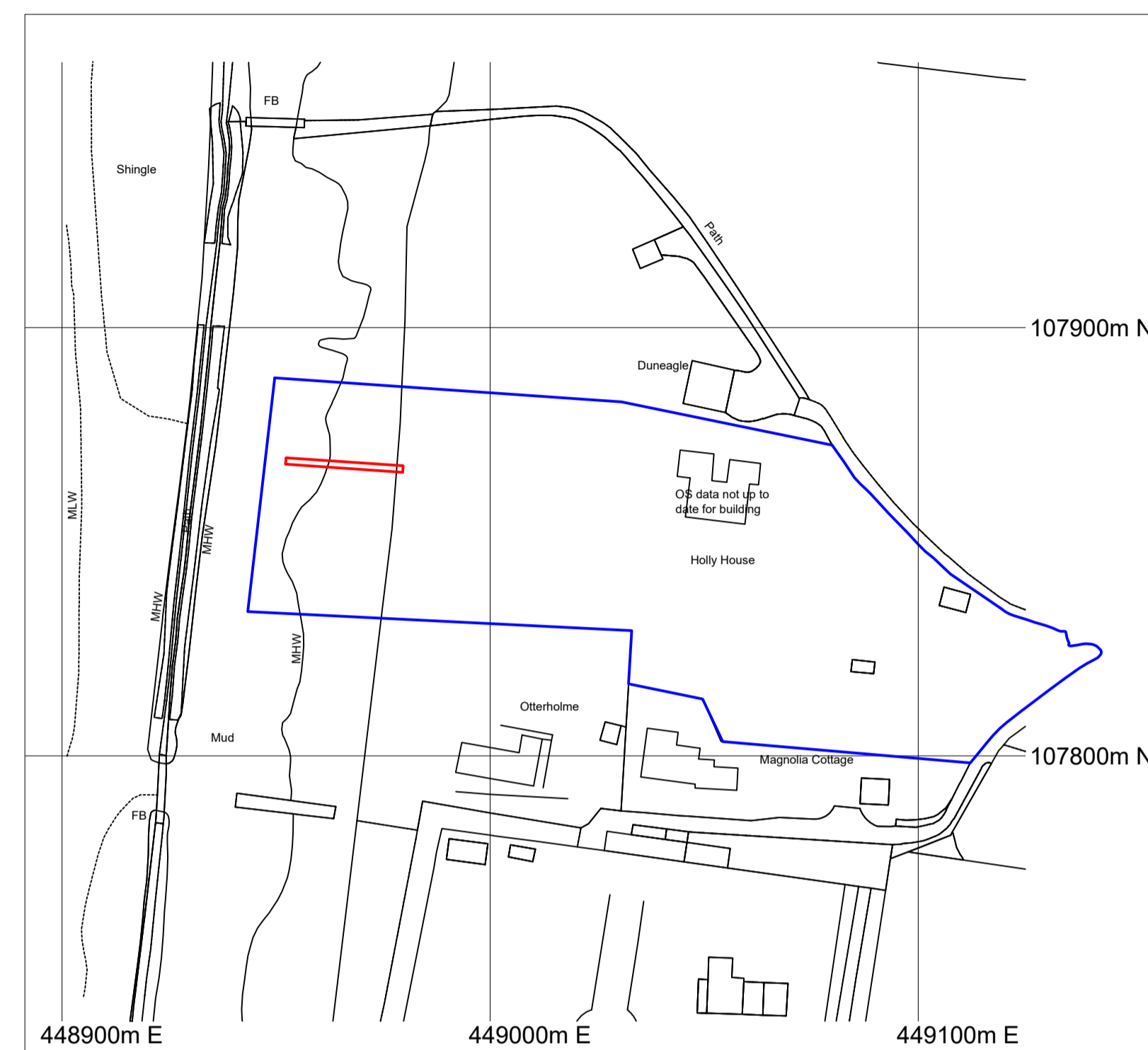


SITE PLAN - SCALE 1:500

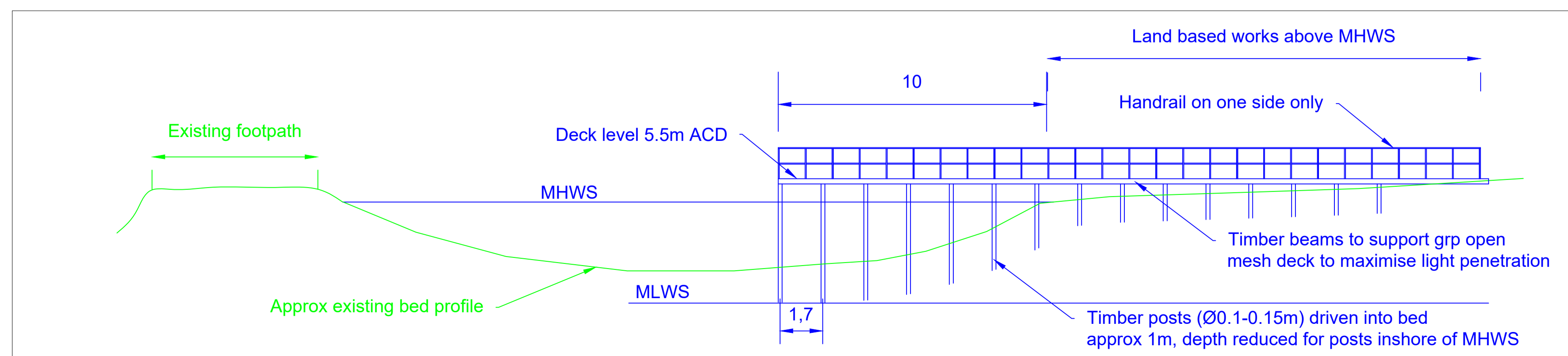


LOCATION PLAN - SCALE 1:1250

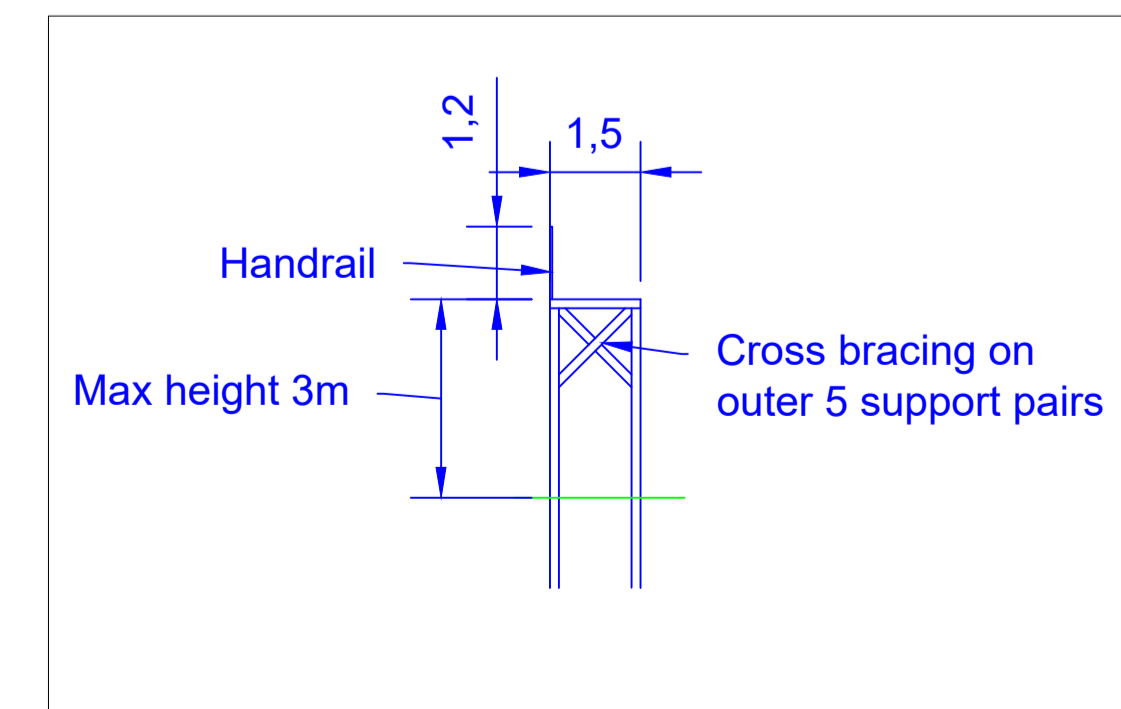
Original LTS print only with Red Stamp

NOTES

1. Grid shown is OS National Grid
2. Background data from OS Data © Crown Copyright 2018. Streetwise Licence No. 100047474



SIDE ELEVATION OF JETTY - SCALE 1:125



END ELEVATION OF JETTY - SCALE 1:125

04:01:19 LPA Application

Date Issue

LYMINGTON TECHNICAL SERVICES LTD

CLIENT

Mr S WOODHAMS

SITE

HOLLY HOUSE, SARISBURY GREEN, SOUTHAMPTON

TITLE

SITE PLANS

SCALE AS SHOWN @ A1

DRAWN

P.Toswell

DATE

Jan 2019

DRG No 10685/2